

Blowers and Components

CODE 90 - Replacement Blower Assys (See application by Model; available replacement components below.)

Cabinet	P/N	Description
A	205527	9 x 7 Blower housing including wheel, bearings, and 1" shaft
	205528	9 x 9 Blower housing including wheel, bearings, and 1" shaft
	205529	9 x 7 Blower housing with wheel and bearing bracket
B	221484	Complete Blower Assy including two 9x9 blowers with shaft and bearings on a base - see application below)
	221485	Complete Blower Assy including two 9x9 blowers with shaft and bearings on a base - see application below)
	221486	Complete Blower Assy including two 9x9 blowers with shaft and bearings on a base - see application below)
C	220633	Complete Blower Assy (two 12x9 blowers with shaft and bearings on a base), Delhi 9010415 (replaces blower wheel & housing, (2) P/N 208372, mounted on a blower plate - see application below)
	220634	Complete Blower Assy (two 12x12 blowers with shaft and bearings on a base), Delhi 9010416 (replaces blower wheel & housing (2) P/N 208373, mounted on blower plate - see application below)
	220635	Complete Blower Assy (two 12x12 blowers with shaft and bearings on a base), Delhi 9010418 (replaces blower wheel & housing (2) P/N 208373, mounted on a blower plate - see application below)
	220636	Complete Blower Assy (three 12x9 blowers with shaft and bearings on a base), Delhi 9010417 (replaces blower wheel & housing (3) P/N 208372) mounted on blower plate) - see application below)

Blower Application by Model

Model RCA (cooling only models) - Blower Application is Determined by System Size																								
RCA	025	037	055	059	060	075	077	078	085	090	091	108	109	120	139	164	166	184	198	176	226	292	374	
Cabinet	A				B			A			B		A		B		A		B			C		
(Qty) P/N	(1) 205528				(1) 221485			(1) 205528			(1) 224185		(1) 205528		(1) 221485		(2) 205529		(1) 221485			(1) 220633		(1) 220635

Model RDA (cooling and reheat models) - Blower Application is Determined by System Size													
RDA	102	114	126	144	188	220	234	230	280	346	428	446	
Cabinet	A			B				C					
(Qty) P/N	(1) 205528			(1) 221485				(1) 220633					(1) 220635

Model RCDA (cooling/gas heat) and Model RDDA (cooling/reheat/gas heat) - Blower Application is Determined by Gas Heat Section Size														
Cabinet	A				B				C					
Heat Section	-100	-150	-200	-250	-300	-350	-400	-450	-500	-550	-600	-650	-700	
(Qty) P/N	(1) 205527	(1) 205528	(2) 205529	(1) 221484	(1) 221485	(1) 220633		(1) 220634		(1) 220635			(1) 220636	

Model RECA (cooling/electric heat) and Model REDA (cooling/reheat/electric heat) - Blower Application is Determined by System and Heat Module Size

ALL Model RECA and REDA in Cabinet A (Refer to chart on page 3.) use (1) Blower, P/N 205528

ALL Model RECA and REDA in Cabinet B (Refer to chart on page 3.) use (1) Blower Assy, P/N 221486

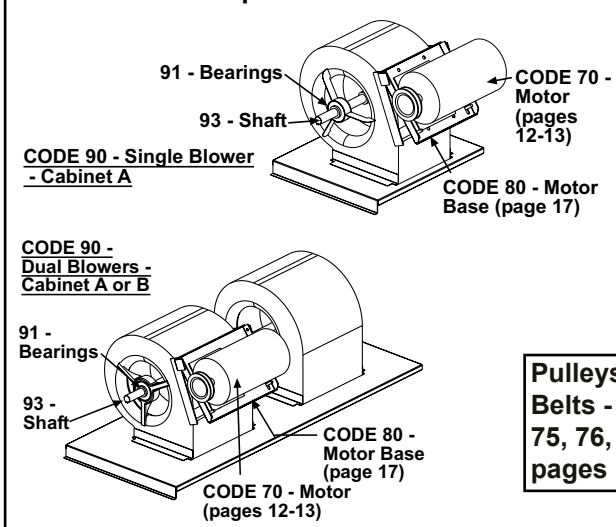
ALL Model RECA and REDA in Cabinet C (Refer to chart on page 3.) use (1) Blower Assy, P/N 220635

Blower Components

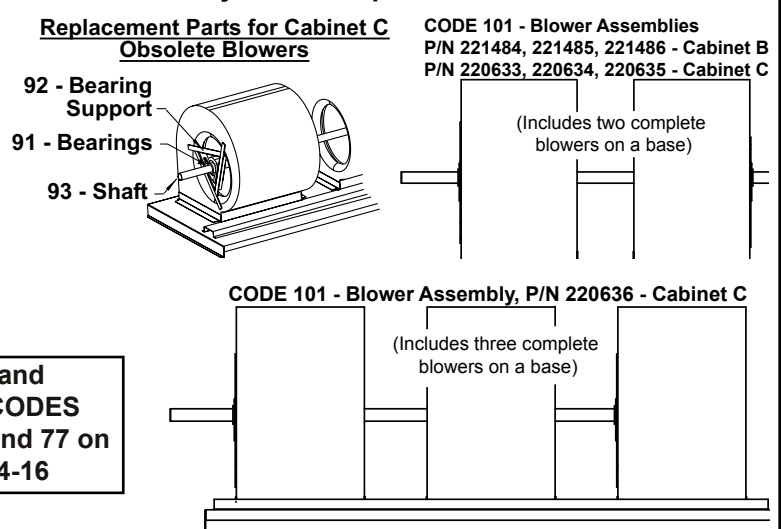
CODE 90 - Blower P/N (see description and application above)									Replacement Parts for Delhi blowers used on Cabinet C beginning 11/06				
CODE	Component	205527	205528	205529	221484 / 221485 / 221486	(2)208372*	(3)208372*	(2)208373*					
91	Bearings	10437**		10437			(2) 123216			Support Brackets - P/N 222916			
92	Bearing Support	The bearing support is part of the blower.									(2) 123213		Pillowblock Berings - P/N 112973
93	Shaft	216651**	216652**	209156	10120	208603	208605	208604	1-3/16"x40" Shaft - P/N 221124				
		1"x17-3/8"	1"x14-3/4"	1"x33-1/4"	1"x39-1/4"	1-3/16"x39"	1-3/16"x54"	1-3/16"x47"	1-3/16"x48-1/2" Shaft - P/N 221125				
94	Blower Key	19361, 3/16 x 1-3/8				215171, 1/4 x 3-3/4			--			1-3/16"x54" Shaft - P/N 221126	

* P/N's are no longer available; see blower chart above for current replacement. Replacement components listed (highlighted) are available for these obsolete blowers. Blowers were discontinued in November 2006.; ** P/N's with ** are included with the blower (CODE 90).

Blowers and Components for Cabinets A and B



Blower Sled Assys and Components for Cabinets B and C



Pulleys and Belts - CODES 75, 76, and 77 on pages 14-16